

EN

NEW



Mechanical pullers

BETEX TOOL
MAINTENANCE

www.begaspecialtools.com

INDEX

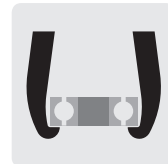
Dismounting

Mechanical pullers

BETEX MSP	3
BETEX MP10/11	4
BETEX MP15/16	5
BETEX MP20	6
BETEX MP25	7
BETEX MP26	8
BETEX MP30	9
BETEX MP40	10
BETEX M50	11
BETEX MP60/65	13
BETEX KZZ	14
BETEX MP35	15
BETEX 625/630	16

MECHANICAL PULLERS

BETEX MSP 2/3-arm pullers, **self-centering**



250

Max. shaft length mm

440

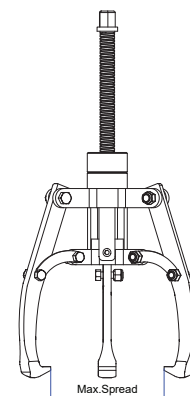
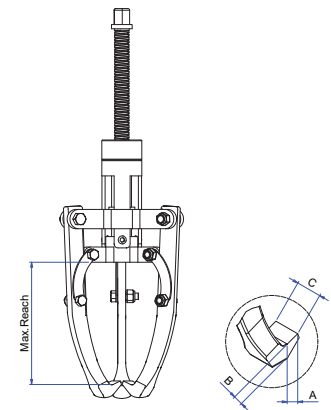
Max. spread mm

Prevent damage to shafts and spindles, use BETEX 625/630 shaft protectors.

BETEX MSP

Safe and easy dismounting of bearings, couplings, rings, etc.

- Ergonomic design, easy to operate by one person.
- Practical!
Self-centering 2-arm or 3-arm puller, including locking. Easy to convert, can be used in any position.
- Safe!
The arms slide inwards or outwards simultaneously. Bending or deflecting is impossible.
- Economical!
2-arm or 3-arm puller combination, 2 pullers for the price of one.
- Strong!
The harder the pulling force, the tighter the jaws grip around the workpiece.



Advantages of unique **self-centering** pullers:

- ✓ The arms slide inwards or outwards simultaneously.
- ✓ Prevents damage to shaft and object being pulled.
- ✓ Can be operated by one person.
- ✓ Work efficiently and save time.

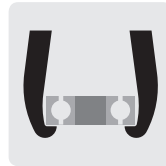
Type	Art. no	Cap. tons	Max. shaft length mm	Max. spread mm	A mm	B mm	C mm	Weight in kg
MSP 2/3-120	798250	2	80	120	8	6	15	1.6
MSP 2/3-180	798300	3	120	180	6	7	15	2.3
MSP 2/3-270	798350	5	160	270	11	10	25	4.3
MSP 2/3-300	798400	8	210	300	13	14	27	6.1
MSP 2/3-380	798450	10	250	380	14	10	29	9.6
MSP 2/3-440	798500	12	250	440	14	10	29	11.2

* incl. safetv net

** incl. safetv blanket

MECHANICAL PULLERS

BETEX MP10/11 universal 2-arm pullers



900

Max. shaft length mm

980

Max. spread mm

Prevent damage to shafts and spindles, use BETEX 625/630 shaft protectors.

BETEX MP10/11

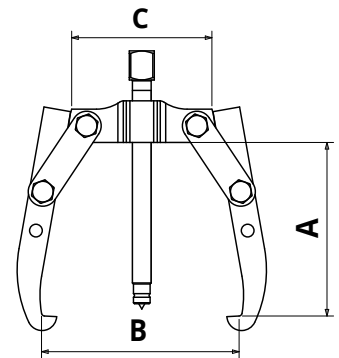
Simple, handy 2-arm puller for external grip. Suitable for dismantling pulleys, bearings, rings and fans of electric motors. During dismantling, the arms cannot slip because they are pressed against the puller bridge. The greater the pressing force, the tighter the arms grip on the workpiece!

These pullers are also available with extended arms for even greater capacity.

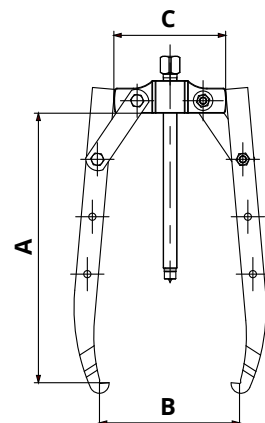
- External puller
- 2-arms
- Available as MP10 in 9 standard sizes
- Available as MP11 in 9 sizes with extended arms



Type / Art. no.	Max. shaft length A mm	Max. spread B mm	C mm	Weight kg
MP10070	55	70	37	0,2
MP10100	85	100	70	0,4
MP10150	135	150	80	1,2
MP10200	180	200	113	2,3
MP10250	180	250	160	2,7
MP10310	300	310	161	5,5
MP10425	370	425	280	11,5
MP10520	460	520	325	25,5
MP10800	750	800	402	49
MP11090	70	90	37	0,2
MP11110	105	110	70	0,5
MP11175	185	175	80	1,4
MP11240	225	240	113	2,5
MP11290	225	290	160	2,9
MP11350	400	350	161	6
MP11480	480	480	280	13
MP11650	590	650	325	30
MP11980	900	980	402	55,5



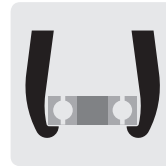
MP10 series



MP11 series

MECHANICAL PULLERS

BETEX MP15/16 universal 2/3-arm pullers



900

Max. shaft length mm

980

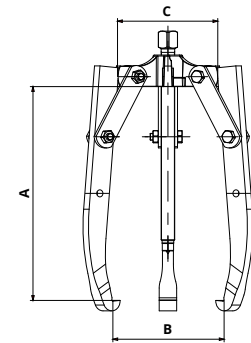
Max. spread mm

*Prevent damage to shafts and spindles,
use BETEX 625/630 shaft protectors.*

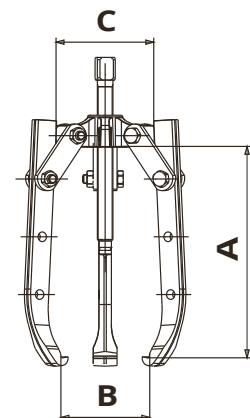
BETEX MP15/16

Simple, handy 2/3-arm puller for parts gripped externally like pulleys, bearings, rings, etc. Suitable for removing fans from electric motors. During operation, the arms cannot slip because they are pressed against the cross bar. The harder the pulling force, the tighter the jaws grip around the workpiece. These pullers are also available with extended arms for even larger capacity.

- External puller
- 2- or 3-arms
- Available in 9 standard sizes
- Available in 9 sizes with extended arms



MP15 series

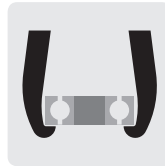


MP16 series

Type / Art. no.	Max. shaft length A mm	Max. spread B mm	C mm	Weight kg
MP15070	55	70	37	0,3
MP15100	85	100	80	0,7
MP15150	135	150	104	1,8
MP15200	180	200	108	3,3
MP15250	180	250	160	3,7
MP15310	300	310	161	7,5
MP15425	370	425	280	17
MP15520	460	520	325	33,5
MP15800	750	800	402	65
MP16090	70	90	37	0,3
MP16110	105	110	80	0,7
MP16175	185	175	104	2,1
MP16240	225	240	108	3,5
MP16290	225	290	160	3,9
MP16350	400	350	161	8,5
MP16480	480	480	280	18,5
MP16650	590	650	325	39
MP16980	900	980	402	75

MECHANICAL PULLERS

BETEX MP20 mechanical 2-arm pullers



390

Max. shaft length mm

600

Max. spread mm

Prevent damage to shafts and spindles, use BETEX 625/630 shaft protectors.

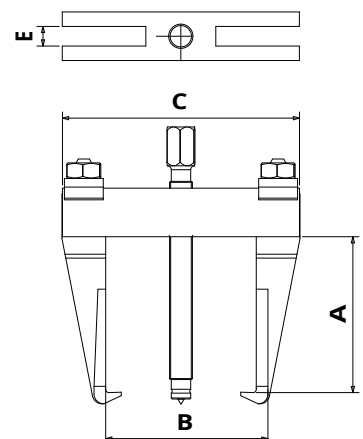
BETEX MP20

This 2-arm puller is extremely well-suited to applications involving the extraction of bearings, rings, sprockets, couplings etc. The jaws are forged and therefore extra strong. Reversal of the arms makes internal dismantling also possible. The self-locking system guarantees that the arms will not deflect.

- External and internal puller
- 2-arms, reversible
- Self-locking
- Also available as set MP20000 with a display including 5 sizes: MP20080, MP20115L, MP20155, MP20195, MP2025

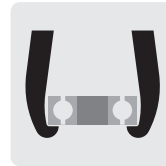


Type / Art. no.	Max. shaft length A mm	Spread B mm		C mm	E mm	Weight kg
		Min.	Max.			
MP20060	50	12	60	72	6,1	0,3
MP20080	80	25	80	122	10,1	1
MP20080L	135	20	80	122	10,1	1,2
MP20115	80	25	115	156	10,1	1,1
MP20115L	135	25	115	156	10,1	1,3
MP20155	160	25	155	210	14,1	2,4
MP20145L	220	25	145	210	14,1	4
MP20195	220	60	195	260	14,1	4,4
MP20250	260	80	250	345	20,5	10,5
MP20390	260	125	390	475	20,5	13
MP20245	390	80	245	345	20,5	13,5
MP20375	390	125	375	475	20,5	15,8
MP20600	260	215	600	675	20,5	20
MP20600L	390	215	600	675	20,5	23
MP20000 set	80 - 260	25 - 80	80 - 250	122 - 345	10,1 - 20,5	22,7



MECHANICAL PULLERS

BETEX MP25 universal 2-arm bearing puller



110

Max. shaft length mm

245

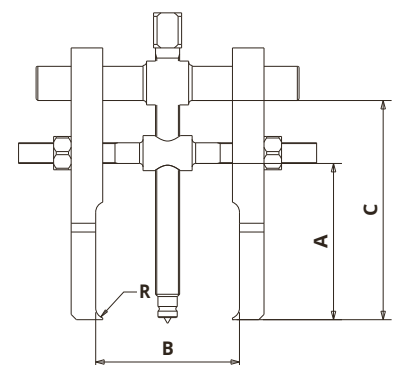
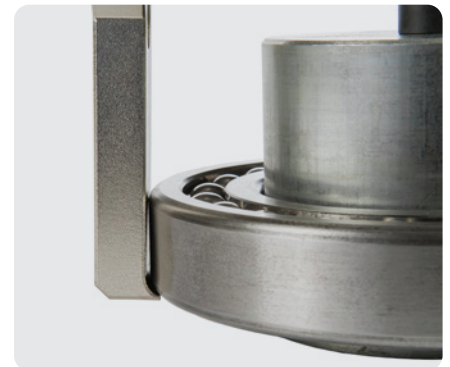
Max. spread mm

Prevent damage to shafts and spindles, use BETEX 625/630 shaft protectors.

BETEX MP25

These bearing pullers are particularly suitable for extracting bearings, bearing rings, gears, discs etc. for tight or difficult to reach areas. First lateral force is applied to grip the part with the sharp jaws. These grip on the radius of the outer ring. Due to the special construction, the arms cannot move during use. You prevent damage and save time.

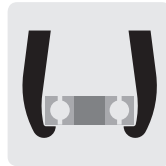
- External puller
- 2-arms
- For tight spaces
- Special jaw construction for extra strong grip



Type / Art. no.	Max. shaft length A mm	Spread B mm		C mm	R mm	Weight kg
		Min.	Max.			
MP25120	89	34	120	125	6	1,7
MP25245	110	59	245	155	6	4,8

MECHANICAL PULLERS

BETEX MP26 2-arm pullers, cross arms with tapered claws



160
Max. shaft length mm

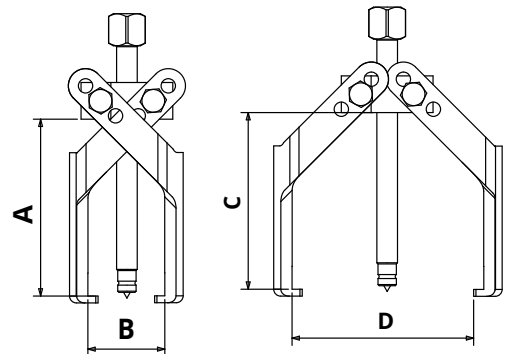
125
Max. spread mm

Prevent damage to shafts and spindles, use BETEX 625/630 shaft protectors.

BETEX MP26

This puller is particularly suitable for extracting bearings, pinions, pulleys etc. for tight or difficult to reach areas.

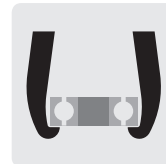
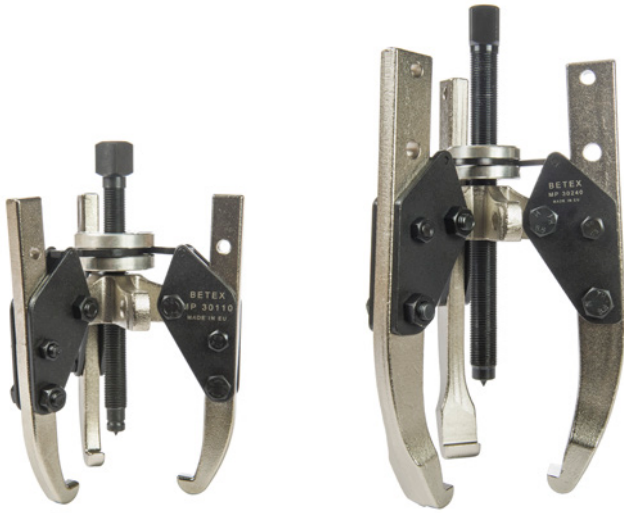
- External puller
- 2-arms
- For a wider spread and depth, puller arms can be assembled in variable positions
- Easy to handle, cross arm puller



Type / Art. no.	Min. shaft length A mm	Min. spread B mm	Max. shaft length C mm	Max. spread D mm	Weight kg
MP26095	90	55	90	95	0,3
MP26125	125	80	160	125	1

MECHANICAL PULLERS

BETEX MP30 mechanical 2/3-arm pullers, **self-centering**



640

Max. shaft length mm

720

Max. spread mm

Prevent damage to shafts and spindles, use BETEX 625/630 shaft protectors.

BETEX MP30

The 2/3 arms of these pullers adjust themselves simultaneously and symmetrically, inwards, or outwards. Work efficient with perfect positioning of the arms. The arms cannot bend or deflect. The higher the pulling force, the tighter the grip of the arms.

These pullers are also available with extended arms for even larger capacity.

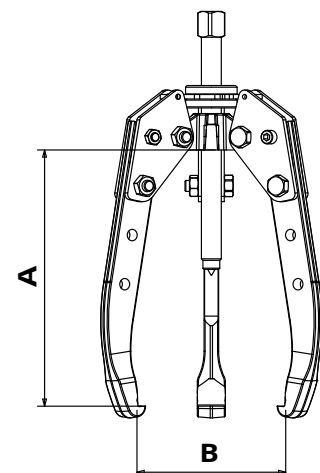
- External puller
- 2- or 3-arms
- Self-centering
- Available in 6 standard sizes
- Available in 3 sizes with extended arms



Advantages of unique **self-centering** pullers:

- ✓ The arms slide inwards or outwards simultaneously.
- ✓ Prevents damage to shaft and object being pulled.
- ✓ Can be operated by one person.
- ✓ Work efficiently and save time.

Type / Art. no.	Max. shaft length A mm	Max. spread B mm	Weight kg
MP30110	105	110	0,8
MP30175	185	175	2
MP30240	225	240	6,5
MP30350	410	350	14,5
MP30480	500	480	31,5
MP30680	600	680	55,5
MP30405	490	405	16
MP30540	615	540	34,5
MP30720	640	720	61,5



MECHANICAL PULLERS

BETEX MP40 4-arm ball bearing puller



239

Max. arm length mm

10 - 60

Shaft diameter mm

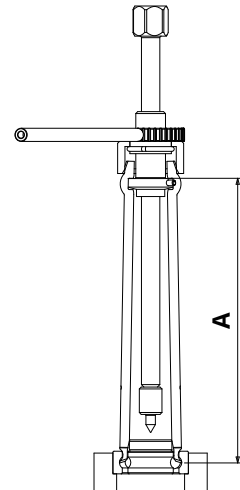


BETEX MP40

These four-arm bearing pullers have been specially developed to extract ball-bearings from casings and shafts simultaneously. For when there is no free space internally or externally. The arms grip the bearing between the inner- and outer ring. For extra grip and the desired leverage effect, a supplied ring can be used. The blue numbered bearings are dismantled without the ring.

Used for the 6000, 6200, 6300 and 6400 bearing series.

- Internal puller
- 4-arms
- Available as set MP40900 in handy case with 3 sizes: MP40100, MP40200, MP40300



Type / Art. no.	Arm no.	A mm	Bearing	Weight kg
MP40100	11	160	6000 - 6001 - 6002 - 6003 - 16002 - 16003 - 16100 - 16101	1,3
	12	160	6004 - 6005 - 6006 - 6201 - 6202 - 6203 - 6300	1,3
	13	180	6204 - 6205 - 6301 - 6302 - 6303 - 62/22	1,3
MP40200	21	196	6007 - 6008 - 6009 - 6010 - 16011	1,9
	22	196	6011 - 6012 - 6206 - 6207 - 6304 - 6305 - 6306 - 62/28	4,5
MP40300	31	237	6208 - 6209 - 6210 - 6307 - 6403 - 63/28	4,5
	32	239	6211 - 6212 - 6308 - 6309 - 6310 - 6311 - 6404 - 6405 - 6406	7,5
MP40900 set				

The *blue-numbered* bearings can be dismantled without a ring.

MECHANICAL PULLERS

BETEX MP50 expanders, countersupports and slide hammers



5-76

Min./Max. diameter mm

89

Max. depth expander mm

BETEX MP50

This special expander system has been developed to facilitate rapid and effective dismantling under difficult conditions, e.g., in 'blind holes'. The multiple adjustable jaws (up to 6) ensure the correct grip from behind the bearing. Deflection is impossible. The counter supports are universal, which means that the arms can be twisted in any direction to find the best point of pressure.

The larger types are equipped with a conical puller adapter in the expander, which prevents friction when tightening the screw. Bearings, bushings, seal rings etc. are extracted effortlessly.

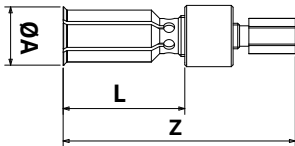
- Internal puller combination
- Combine with sliding hammer or counter support
- Collets MP50507 and MP50811 have no housing
- Also available in 7 different sets, including sliding hammer and/or counter support

BETEX MP50350

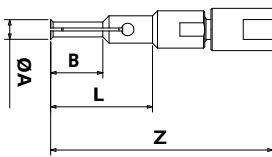
Used in combination with internal expander puller.

- Stroke of 250 mm
- Connection thread 1/2" UN20h

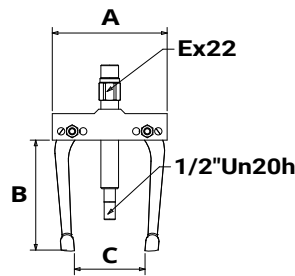
A major advantage of the slide hammer is that it can be used independently of any housing. No pressure points are required. After positioning the inner expander puller, the slide hammer is screwed on.



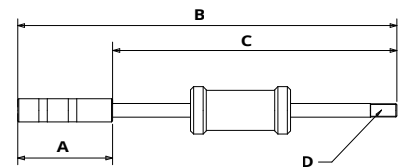
Expander MP51214 to MP56576



Expander MP50507 to MP50811



Counter support



Slide hammer

Counter support type / Art. no.	A mm	B mm	C mm	Weight kg
MP50300	130	124	135	1,6

Slide hammer type / Art. no.	A mm	B mm	C mm	D	Weight kg
MP50350	90	360	250	1/2 inch UN20h	1,4

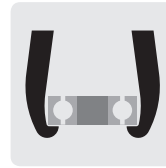
Expander type / Art. no.	A Ø mm	B mm	L mm	Z mm	Weight kg	Set 1	Set 2	Set 3	Set 4	Set 5	Set 6	Set 7
MP50507	5 to 7	8	27	82	0,1	-	-	Yes	Yes	-	Yes	Yes
MP50811	8 to 11	20	40	90	0,1	-	-	Yes	Yes	-	Yes	Yes
MP51214	12 to 14		64	108	0,3	Yes	-	Yes	Yes	-	Yes	Yes
MP51519	15 to 19		64	125	0,3	Yes	Yes	Yes	Yes	-	Yes	Yes
MP52024	20 to 24		65	125	0,3	Yes	Yes	Yes	Yes	Yes	Yes	Yes
MP52529	25 to 29		65	125	0,4	Yes	Yes	Yes	Yes	Yes	Yes	Yes
MP53037	30 to 37		65	125	0,4	Yes	Yes	Yes	Yes	Yes	Yes	Yes
MP53845	38 to 45		65	125	0,5	Yes	Yes	-	-	Yes	Yes	Yes
MP54654	46 to 54		88	175	1,3	-	-	-	-	Yes	-	Yes
MP55564	55 to 64		89	175	1,6	-	-	-	-	Yes	-	Yes
MP56576	65 to 76		89	175	2,0	-	-	-	-	Yes	-	Yes

Set 1: MP51245S - including slide hammer - 3,6 kg
 Set 2: MP51245T - including counter support - 3,7 kg
 Set 3: MP50537S - including counter support - 3,6 kg
 Set 4: MP50537T - including slide hammer and counter support 3,7 kg

Set 5: MP50560 - including slide hammer and counter support - 8,0 kg
 Set 6: MP50545 - including slide hammer and counter support - 5,5 kg
 Set 7: MP50576 - including slide hammer and counter support - 8,5 kg

MECHANICAL PULLERS

BETEX MP60/65 bearing splitters and countersupports



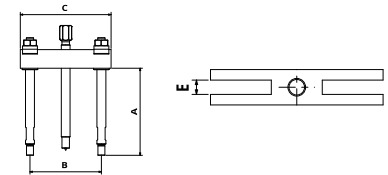
680

Max. shaft length mm

300

Max. spread mm

Prevent damage to shafts and spindles, use BETEX 625/630 shaft protectors.



Counter support

Bearing splitter

Sets

BETEX MP60/65

BETEX MP60/MP65 are constructed for the dismounting of hard-to-reach bearings and other parts, where there is insufficient space for grip with a puller. Suitable for multiple applications.

- External puller combination
- Available in 8 splitter sizes with matching counter supports
- Available separately or as set
- Large spindles have retractable points

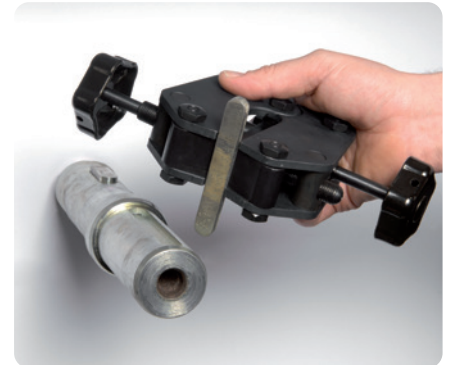
Counter support Type / Art. no.	Shaft length A mm	Spread B mm		Bridge width C mm	E mm	Weight kg
		Min.	Max.			
MP65110	115	46	110	122	10,1	1
MP65140	115	46	140	156	10,1	1
MP65195	175	62	195	210	14,1	3
MP65445	245	173	445	475	20,5	12
MP65450	480	178	450	480	27	35
MP65580	680	219	580	617	32,5	53

Bearing splitters Type / Art. no.	Spread B mm		C mm	R mm	Weight kg
	Min.	Max.			
MP60060	4	60	60	3/8"	0,8
MP60080	6	81	80	3/8"	1,3
MP60110	10	110	110	5/8"	2,8
MP60150	12	134	155	5/8"	5,7
MP60180	13	210	180	5/8"	12,5
MP60260	17	255	260	1"	28,5
MP60300	20	300	300	1-1/4"	43,5
MP60330	35	300	330	1-1/4"	86,5

Sets Type / Art. no	A mm	B mm	C mm
MP7110060	100	55	90
MP7140080	100	80	130
MP7195110	152	108	175
MP7195150	152	77	182
MP7445180	220	180	302
MP7450260	418	250	372
MP7580300	617	300	435
MP7580330	617	300	450

MECHANICAL PULLERS

BETEX KZZ Key Puller



BETEX KZZ

For professional removal of parallel keys

With the BETEX KZZ, you can easily remove keys from shafts of motors, pumps and all kinds of other applications in drive technology. For keys up to a width of 35 mm.

Safe!

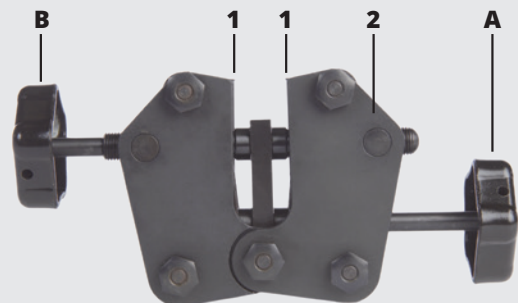
Hammer and chisel are no longer needed.

Advantages

- ✓ Safe dismounting.
- ✓ Quick dismounting.
- ✓ No damage to shafts or keys due to perpendicular dismounting.
- ✓ Shafts remain straight.
- ✓ Saves time, labour and costs.
- ✓ Jaws are made from specially tempered steel.
- ✓ Threaded screws with left and right trapezoidal thread.

Easy to use

1. Turn both jaws (1) upwards or downwards with handwheel (A) until they are in line with the housing (2).
2. Use handwheel (B) to set the size of the key to be pulled, with ± 1 mm of play.
3. Turn handwheel (B) to screw both jaws hand-tight to the key.
4. Turn handwheel (A) to pull the key upwards perpendicularly.
5. Turn the jaws downwards with handwheel (A); use handwheel (B) to unscrew the key.



Type	Art. no	Max. spread mm	Weight in kg
KZZ	4900011	35	2.2

MECHANICAL PULLERS

BETEX MP35 hydraulic mini press, 8 ton



8
Cap. Ton

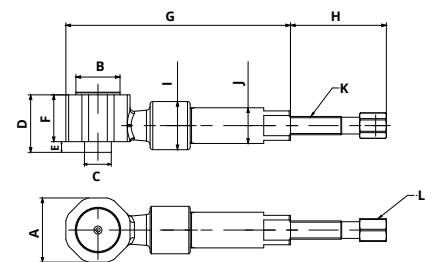
5
Max. stroke mm

*Prevent damage to shafts and spindles,
use BETEX 625/630 shaft protectors.*

BETEX MP35

This auxiliary tool is used to increase pressure for stuck parts. The hydraulic mini press is placed between the shaft and the spindle. It administers a 5 mm stroke; max pressing capacity is 8 tons. The impact loosens the stuck workpiece. This prevents overloading and wear on the spindles.

- Combine with mechanical pullers
- Time-saving
- Prevents overload
- Protects spindles from bending
- Use for bearings, gears, sprockets, discs etc.



Type / Art. no.	A Ø mm	B Ø mm	C Ø mm	D mm	E mm	F mm	G mm	H mm	I Ø mm	J Ø mm	K	L	Weight kg
MP35100	45	34	20	43	8	35	168	72	36	26,7	M14	H17	1,3

MECHANICAL PULLERS



BETEX 625/630

Shaft protector sets for shaft centers and hollow shafts

These shaft protectors are indispensable between shaft and bearing puller, when dismounting bearings, couplings, etc. There are 2 types, 625 for shaft center protection and 630 for hollow shafts.

By using these shaft protectors you prevent:

- damage to the center hole and screw
- puller overload due to tilting

BETEX 625 consists of 6 pieces:

'D' min. = \varnothing 19 mm 'H' min. = \varnothing 16 mm
'D' max. = \varnothing 38 mm 'H' max. = \varnothing 19 mm

BETEX 630 'S' consists of 11 pieces

'Db' min. = \varnothing 19 mm 'Du' min. = \varnothing 25 mm
'Db' max. = \varnothing 51 mm 'Du' max. = \varnothing 64 mm

BETEX 630 'T' consists of 6 pieces

'Db' min. = \varnothing 54 mm 'Du' min. = \varnothing 67 mm
'Db' max. = \varnothing 76 mm 'Du' max. = \varnothing 89 mm

